

# L25-1

1U Liquid Cooler

**PRODUCT SPECIFICATIONS**

## Model Number: L25-1

- Recommend for CPU as following
  - Intel® Socket FCLGA 1150, 1151, 1155, 1156;
  - Intel® Processor, Socket LGA1700
  - Intel® Socket FCLGA 2011, 2066;
  - AMD® Socket AM2/AM3/AM4/AM5/FM1/FM2;
- Liquid Cooler for 1U Server & Up

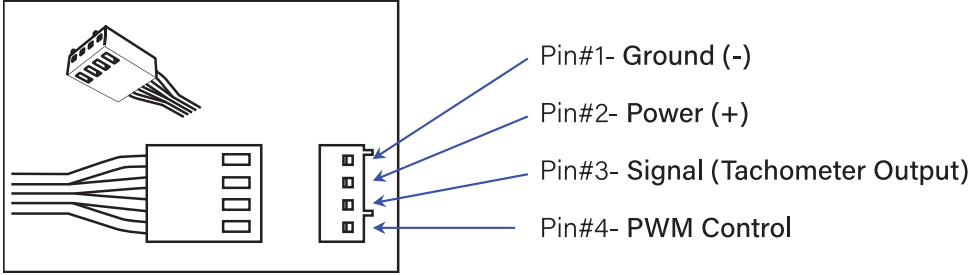
## Overall Specification

- Cold Plate Module with Copper Base
- Space Saver Light Weight Radiator
- 4cm Cooling Fans with 4-Pin PWM Connector
- Stand-alone Water Pump with Powerful Flow Rate 2.9 Liter Per Minute
- 30cm Black Pair EPDM Tube Assembled
- Mounting Accessories are included
- Shin-Etsu 7762 or Equivalent Thermal Compound Pre-Printed on Base
- Support CPU Power up to 240 Watts(Intel) and up to 170 Watts(AMD) Heat Dissipation at 30°C ambient temperature

## Cooling Fan Specification

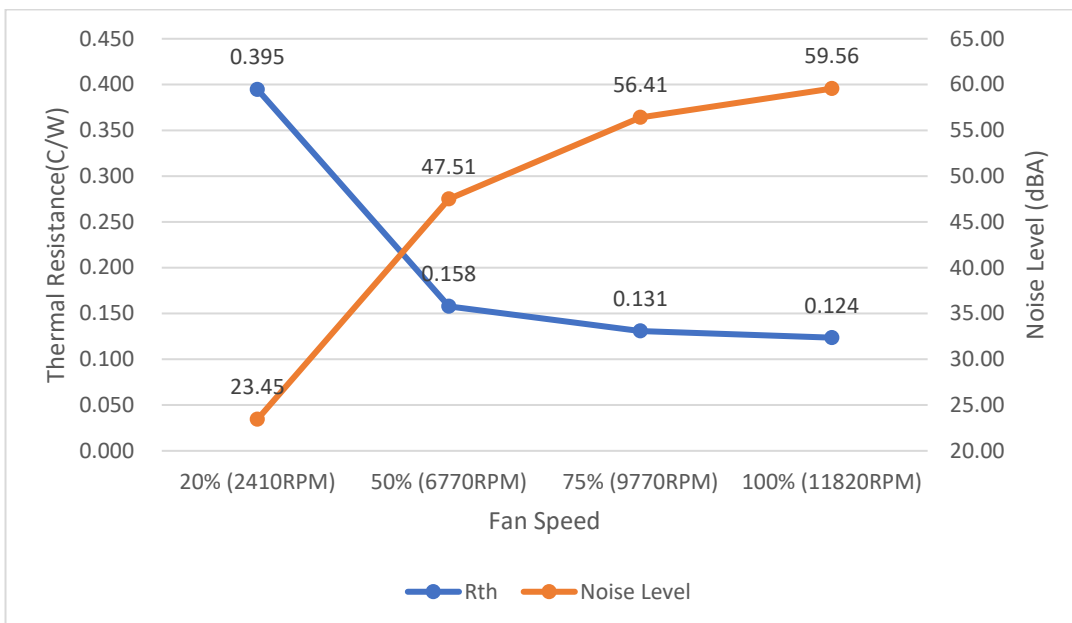
Model Number	DF124028BM-PWMG
Dimension	40 x 40 x 28 mm
Bearing	Dual Ball
Rated Voltage	12V
Rated Speed	At Duty Cycle 0~20%: 3300±200 RPM At Duty Cycle 50%: 5700±10% RPM At Duty Cycle 100%: 12000±10% RPM
Rated Input Power	At Duty Cycle 0~20%: 0.72 W At Duty Cycle 50%: 1.56 W At Duty Cycle 100%: 8.4 W
Rated Airflow	At Duty Cycle 0~20%: 5.92 CFM At Duty Cycle 50%: 10.23 CFM At Duty Cycle 100%: 21.53 CFM
Rated Static Pressure	At Duty Cycle 0~20%: 1.73 mm-H2O At Duty Cycle 50%: 5.17 mm-H2O At Duty Cycle 100%: 22.91 mm-H2O
Acoustical Noise	At Duty Cycle 0~20%: 25.9 dBA At Duty Cycle 50%: 37.8 dBA At Duty Cycle 100%: 54.0 dBA

**L25-1 | Socket LGA 115X/1366/2011(Sq) | AM2/AM3/AM4/FM1/FM2**

<p><b>Lead Wire Pin Out</b></p> <p>Pin#1- Black(-)          Pin#2- Yellow(+)          Pin#3- Green(Tachometer/ Signal Output)          Pin#4- Blue (PWM)</p> <p>Lead Wire Pin Out Diagram :</p> 
--

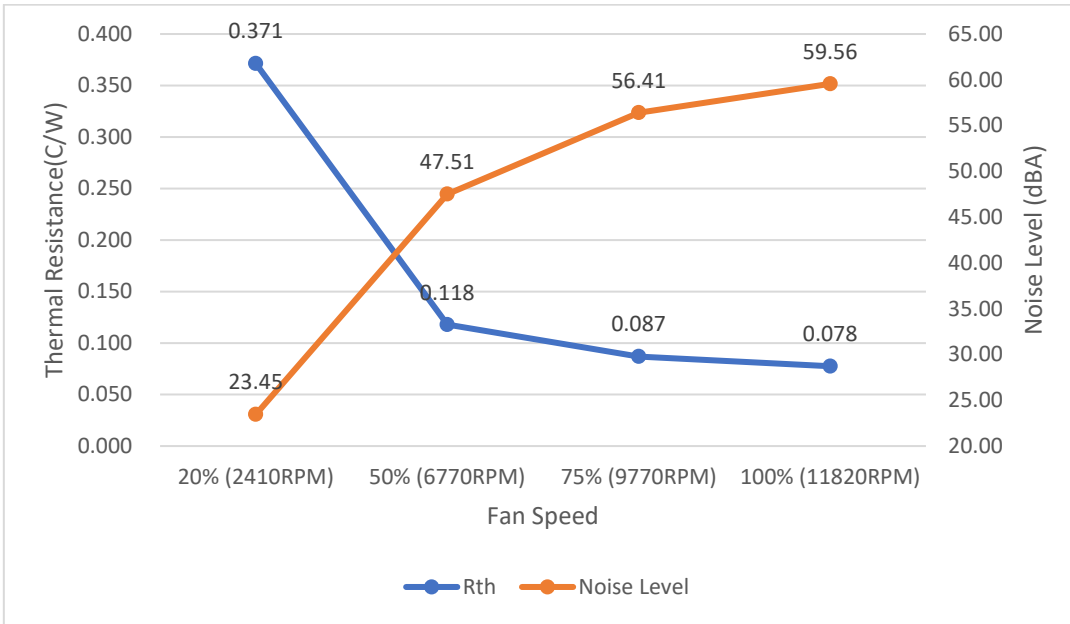
## Performance Chart: Active Cooler L25-1 Thermal Resistance Thermal Resistance vs. Fan Speed (Duty Cycle and RPM)

**LGA 1700**



L25-1 | Socket LGA 115X/1366/2011(Sq) | AM2/AM3/AM4/FM1/FM2

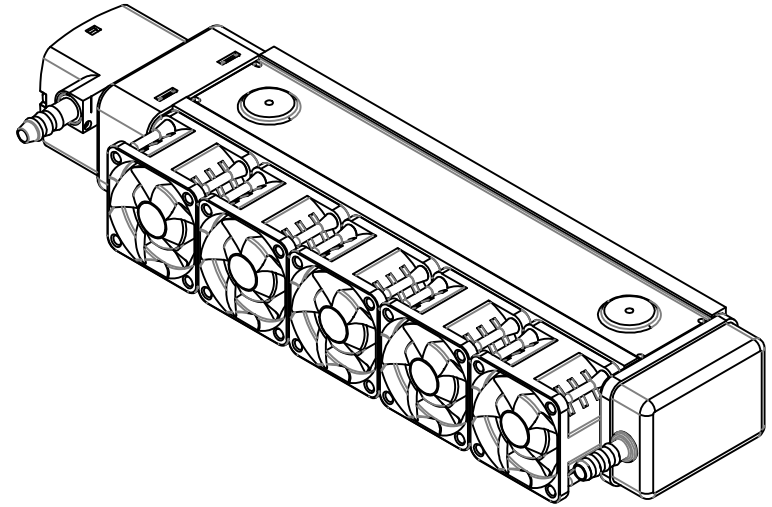
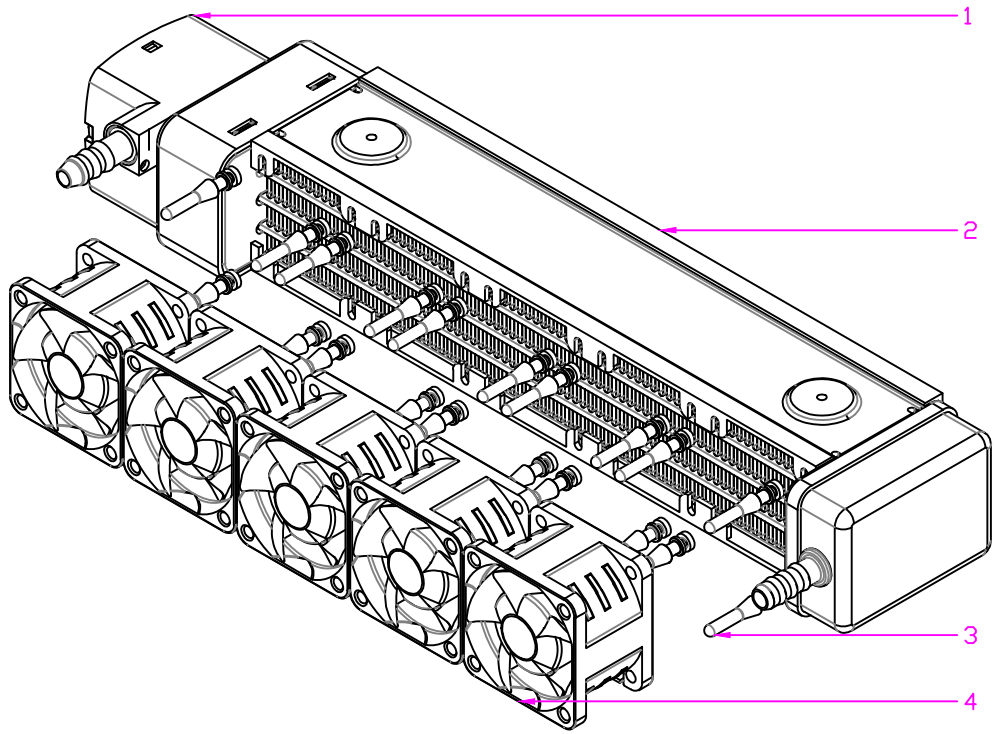
### Socket AM5:




**CONFIDENTIAL DOCUMENT**

THIS DRAWING CONTAINS INFORMATION PROPRIETARY TO DYNATRON CORPORATION AND DYNAMEN INDUSTRIAL CO., LTD. ANY REPRODUCTION, DISCLOSURE, OR USE OF THIS DRAWING IS EXPRESSLY PROHIBITED EXCEPT AS DYNATRON CORPORATION AND DYNAMEN INDUSTRIAL CO., LTD. MAY OTHERWISE AGREE TO IN WRITING.

REV#	DESCRIPTION	CHECKER	DATE
0.0	INITIAL RELEASE	J01Z	07/13/21



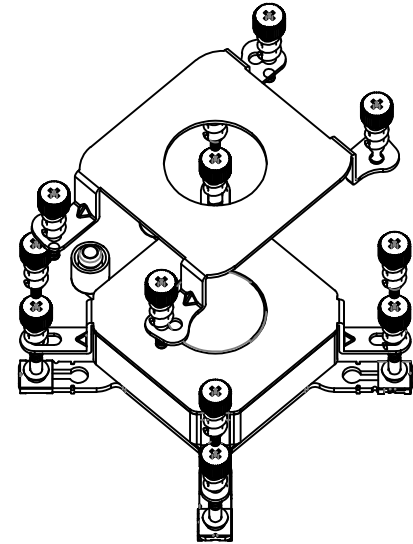
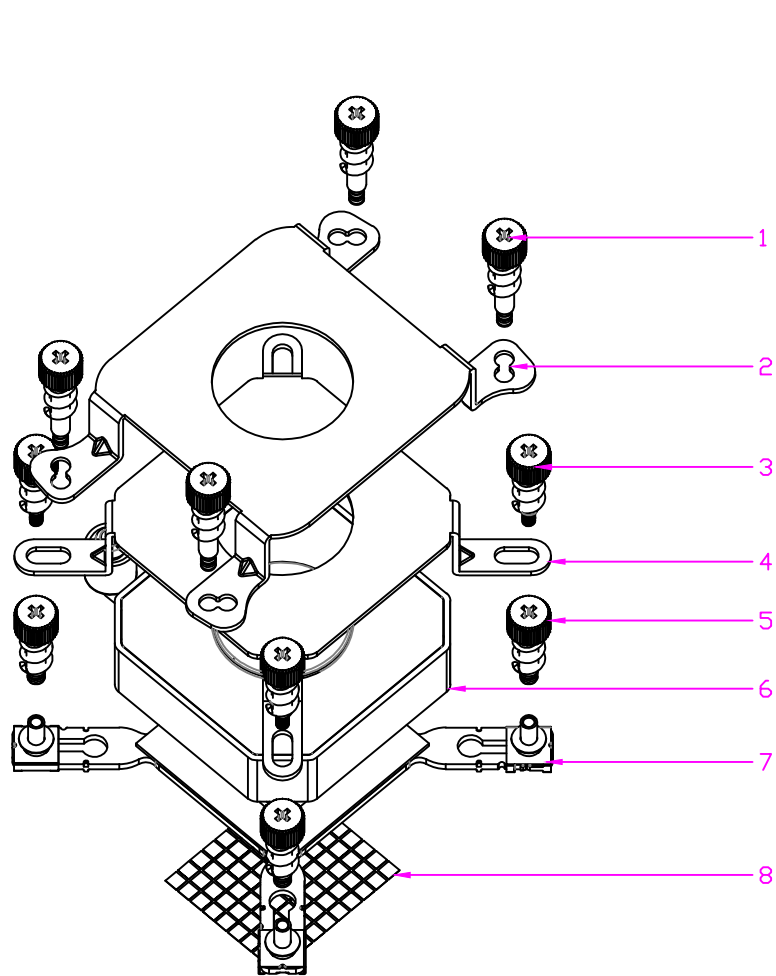
NOTES:  
1. The figure is for reference only.

4	FAN, DF124028BM-PWMG, 12000RPM	PLASTIC	5
3	GROMMET	RUBBER	20
2	RADIATOR	ALUMINUM ALLOY	1
1	PUMP	PLASTIC	1
ITEM #	DESCRIPTION	MATERIAL	QTY.
	DATE	NAME	 DYNATRON CORPORATION TITLE: 1U Liquid Cooler L25-1 Radiator BOM & Exploded Assembly Drawing
DRAWN	07/13/21	enr.	
CHECKED	07/13/21	enr.	
ENG. APPR.			
MFG. APPR.			
QA			DWG. No.
COMMENTS:			REV
			0.0

**CONFIDENTIAL DOCUMENT**

THIS DRAWING CONTAINS INFORMATION PROPRIETARY TO DYNATRON CORPORATION AND DYNAMEN INDUSTRIAL CO., LTD. ANY REPRODUCTION, DISCLOSURE, OR USE OF THIS DRAWING IS EXPRESSLY PROHIBITED EXCEPT AS DYNATRON CORPORATION AND DYNAMEN INDUSTRIAL CO., LTD. MAY OTHERWISE AGREE TO IN WRITING.


REV#	DESCRIPTION	CHECKER	DATE
0.0	INITIAL RELEASE	JOYZ	07/13/21



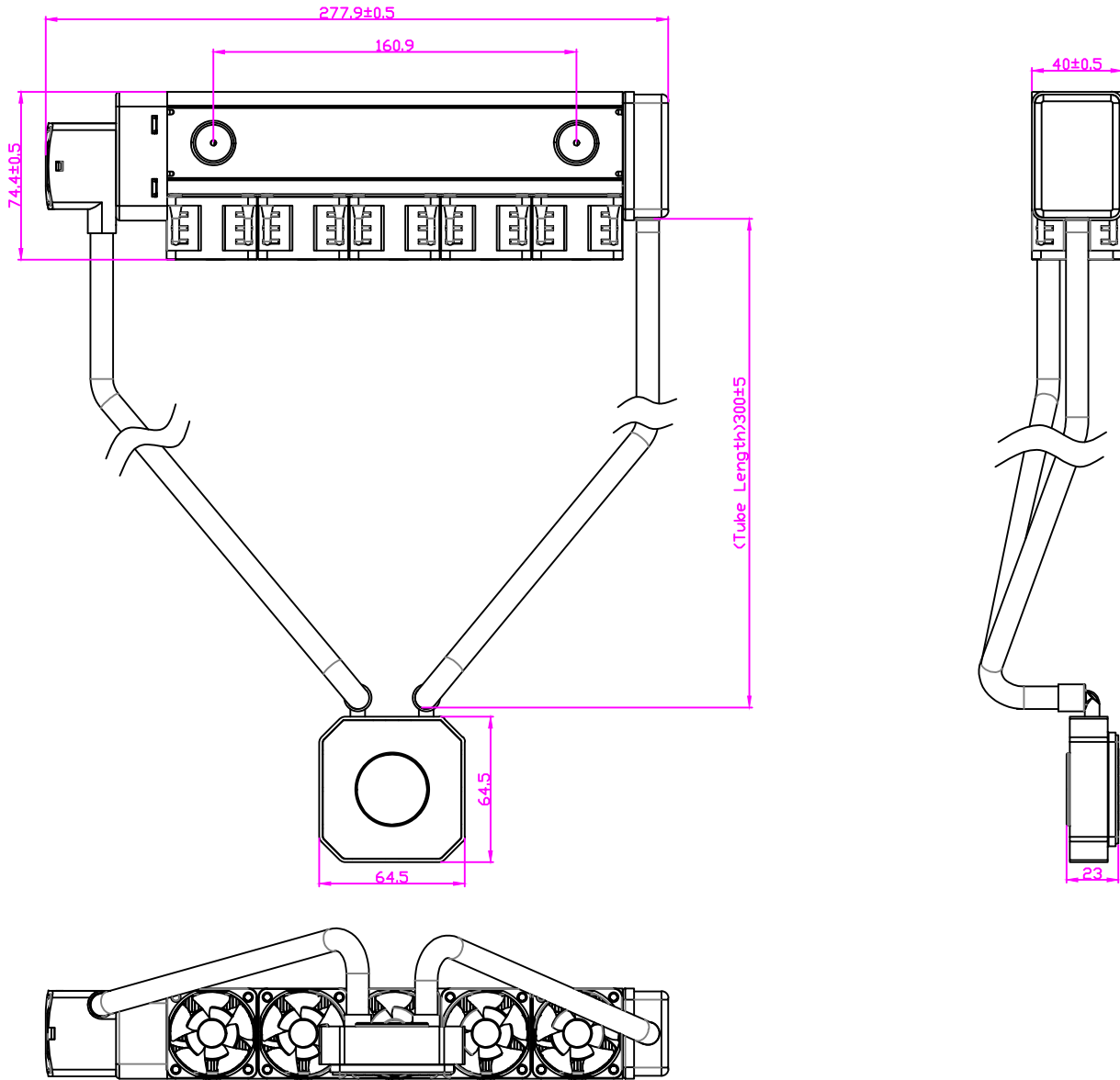
NOTES:  
1. The figure is for reference only.

ITEM #	DESCRIPTION	MATERIAL	QTY.
8	PRE-PRINTED THERMAL GREASE	SHIN-ETSU 7762	1
7	BACKPLATE FOR INTEL LGA 775/115X/1366	STEEL	1
6	COLD PLATE	PLASTIC ENCLOSURE/COPPER 1100 BASE	1
5	SCREWS FOR INTEL LGA 2011	STEEL	4
4	RETENTION FOR INTEL LGA 775/115X/1366/2011	SPCC	1
3	SCREWS FOR INTEL LGA 775/115X/1366	STEEL	4
2	RETENTION FOR AMD SOCKET AM2/AM3/AM4	SPCC	1
1	SCREWS FOR AM2/AM3/AM4	STEEL	4

DATE	NAME	 DYNATRON CORPORATION TITLE: 1U Liquid Cooler L25-1 Cold Plate BOM & Exploded Assembly Drawing
07/13/21	enr.	
07/13/21	enr.	
DWG. No:		REV
DYN-EP-L25-1(CP)		0.0

REV#	DESCRIPTION	CHECKER	DATE
0.0	INITIAL RELEASE	JWZ	07/12/21



	NAME	DATE
DRAWN BY	ENGR	07/12/2021
CHECKED BY	ENGR	07/12/2021
ENG. APPROVED		
MFG. APPROVED	-	-



TITLE: 1U Liquid Cooler L25-1  
Overall Dimension Drawing

**CONFIDENTIAL DOCUMENT**  
THIS DRAWING CONTAINS INFORMATION PROPRIETARY TO DYNATRON CORPORATION AND DYNAEON INDUSTRIAL CO., LTD. ANY REPRODUCTION, DISCLOSURE, OR USE OF THIS DRAWING IS EXPRESSLY PROHIBITED EXCEPT AS DYNATRON CORPORATION AND DYNAEON INDUSTRIAL CO., LTD. MAY OTHERWISE AGREE TO IN WRITING.

VIEW	DWG. No:	REV.
UNITS	DYN-DM-L25-1	0.0

1 2 3 4 5 6 7